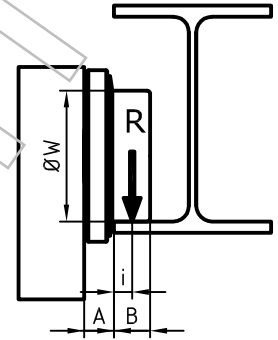
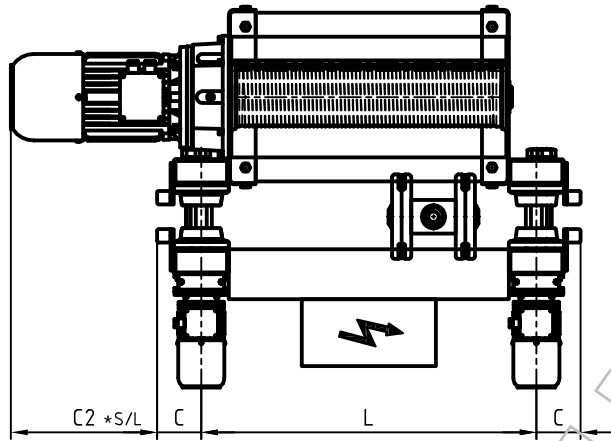
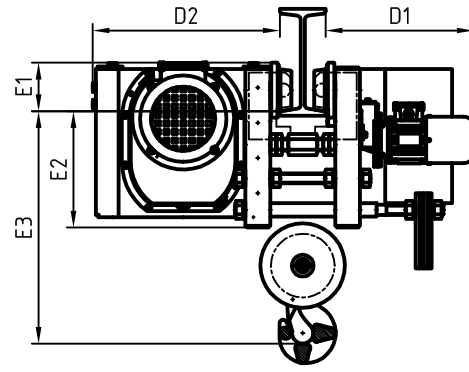
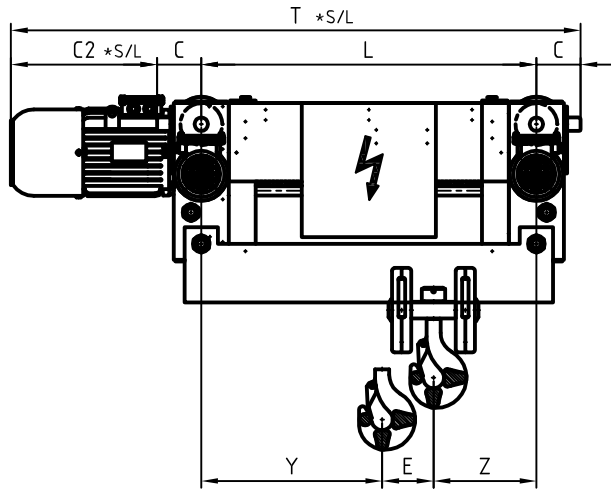


# BAYURSAN CLASS ROYAL W CR Low-Headroom Monorail Hoist Unit



CR	ØW	i	A	B
CR1	80	12	26	23
	110	15	28	30
CR2	125	17	29	34
CR3	140	17	36	34
CR4	200	22	55	43

- \* S Small Size Motor
- \* L Large Size Motor
- \* NH Standard Headroom Hook Block
- \* LH Low Headroom Hook Block

Rope Reeving	Hoist Unit	Rope Drum	Lifting Height	Overall dimensions in mm.																																								
				E1	E2	E3	D1	D2	Z	E	Y	C	L	C2	T *S	T *L																												
2/1	CR1	L1	≤ 7,5	125	263	477	385	413	214	160	244	108	618	*S	1133	1169																												
		L2	≤ 10														215	299	958	299	1243	1279																						
		L3	≤ 15																				330	414	1188	*L	1473	1509																
		L4	≤ 20																										463	529	1888	335	1703	1739										
	CR2	L1	≤ 7,5	145	348	587	440	504	260	144	267	132	670	*S	1253	1370																												
		L2	≤ 10														204	327	1000	319	1373	1490																						
		L3	≤ 15																				306	435	1210	*L	1583	1700																
		L4	≤ 20																										559	537	1630	436	1793	1910										
	CR3	L1	≤ 9	168	421	660	495	577	302	192	337	152	830	*S	1530	1666																												
		L2	≤ 12														240	385	1182	396	1882	2018																						
		L3	≤ 18																				368	513	1406	532	2106	2242																
		L4	≤ 24																										480	625	1630	2330	2466											
L5		≤ 29	592																															737	1630	532	2330	2466						
CR1	L1	≤ 3,75		139	249	*NH	390	415	257	80	282	135	618	*S	1160	1196																												
	L2	≤ 5															473	*LH	465	257	108	364																	135	728	272	1270	1306	
	L3	≤ 7,5																					371	*L	465	257	165	537																135
	L4	≤ 10																											465	*L	465	257	223											
CR2	L1	≤ 3,75	145	348	*NH	440	504	307	72	291	132	670	*S	1253	1370																													
	L2	≤ 5														565	*LH	559	307	102	381	132												790	319	1373	1490							
	L3	≤ 7,5																					457	*L	559	307	153	540										132	1000	*L	1583	1700		
	L4	≤ 10																											207	696	132	1210	436										1793	1910
CR3	L1	≤ 4,5	168	421	*NH	495	577	352	96	382	152	830	*S	1530	1666																													
	L2	≤ 6														638	*LH	637	352	120	454	152												926	396	1626	1762							
	L3	≤ 9																					523	*L	637	352	184	646										152	1182	*L	1882	2018		
	L4	≤ 12																											240	814	152	1406	532										2106	2242
	L5	≤ 14,5																																										