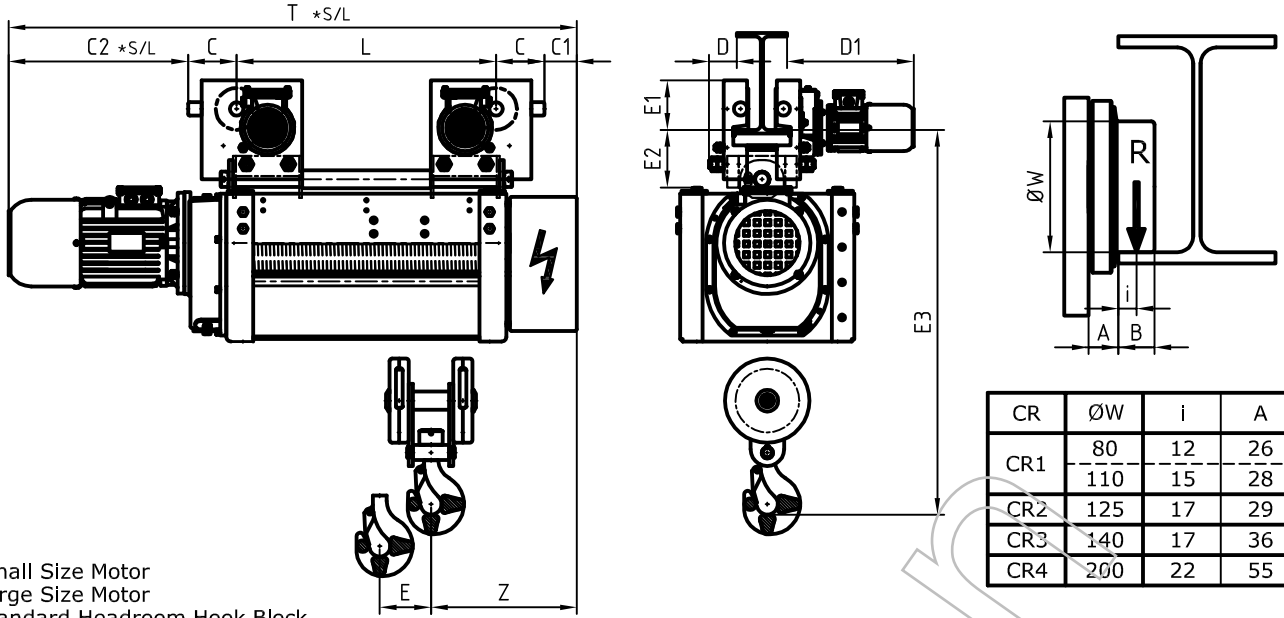


BAYURSAN CLASS ROYAL M CR Standard-Headroom Monorail Hoist Unit



- * S Small Size Motor
- * L Large Size Motor
- * NH Standard Headroom Hook Block
- * LH Low Headroom Hook Block

CR	ØW	i	A	B
CR1	80	12	26	23
	110	15	28	30
CR2	125	17	29	34
CR3	140	17	36	34
CR4	200	22	55	43

Rope Reaving	Hoist Unit	Rope Drum	Lifting Height	Overall dimensions in mm.												
				E1	E2	E3	D	D1	Z	E	C	C1	L	C2	T *S	T *L
2/1	CR1	L1	≤ 7,5	102	145	958	70	370	364	160	118	117	449	*S	1175	1211
		L2	≤ 10							215			559	374	1285	1321
		L3	≤ 15							330			789	*L	1515	1551
		L4	≤ 20							445			1019	410	1745	1781
	CR2	L1	≤ 7,5	148	172	1171	83	375	388	144	145	96	444	*S	1249	1366
		L2	≤ 10							204			564	419	1369	1486
		L3	≤ 15							306			774	*L	1579	1696
		L4	≤ 20							414			984	536	1789	1906
	CR3	L1	≤ 9	170	224	1337	102	395	410	192	167	70	574	*S	1486	1622
		L2	≤ 12							240			670	510	1582	1718
		L3	≤ 18							368			926	*L	1838	1974
		L4	≤ 24							480			1150	646	2062	2198
		L5	≤ 29							592			1374		2286	2422
	CR4	L1	≤ 7,5	230	295	1678	155	450	436	189	216	106	620	*S	1607	1715
		L2	≤ 10							243			728	556	1715	1823
		L3	≤ 15							351			944	*L	1931	2039
L4		≤ 20	450							1142			664	2129	2237	
L5		≤ 25	558							1358				2345	2453	
4/1	CR1	L1	≤ 3,75	132	160	*NH	74	375	407	80	141	81	475	*S	1175	1211
		L2	≤ 5			*LH				969			338	1285	1321	
		L3	≤ 7,5			867				*L			1515	1551		
		L4	≤ 10			867				1045			374	1745	1781	
	CR2	L1	≤ 3,75	148	202	*NH	83	375	435	72	145	96	444	*S	1249	1366
		L2	≤ 5			*LH				1179			419	1369	1486	
		L3	≤ 7,5			1071				*L			1579	1696		
		L4	≤ 10			1071				984			536	1789	1906	
	CR3	L1	≤ 4,5	170	244	*NH	102	395	460	96	167	70	574	*S	1486	1622
		L2	≤ 6			*LH				1335			510	1582	1718	
		L3	≤ 9			1220				*L			1838	1974		
		L4	≤ 12			1220				646			2062	2198		
		L5	≤ 14,5			1220				1374				2286	2422	
	CR4	L1	≤ 3,75	230	295	*NH	155	475	504	95	216	106	620	*S	1607	1715
		L2	≤ 5			*LH				1711			556	1715	1823	
		L3	≤ 7,5			1548				*L			1931	2039		
L4		≤ 10	1548			664				2129			2237			
L5		≤ 12,5	1548			1358							2345	2453		
6/1	CR3	L3	≤ 6	170	244	1490	102	430	558	123	167	70	926		1974
		L4	≤ 8							160			1150	646	2198
		L5	≤ 9,67							197			1374		2422
	CR4	L3	≤ 5	230	295	1862	155	500	644	117	216	106	944		2039
		L4	≤ 6,67							150			1142	664	2237
		L5	≤ 8,33							186			1358		2453