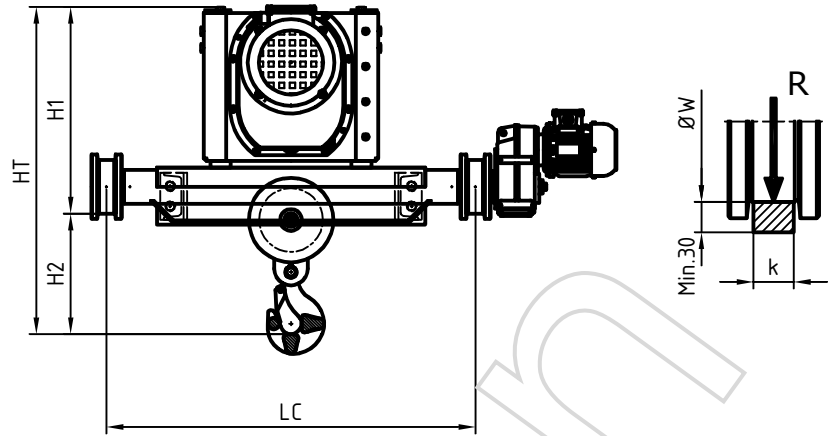
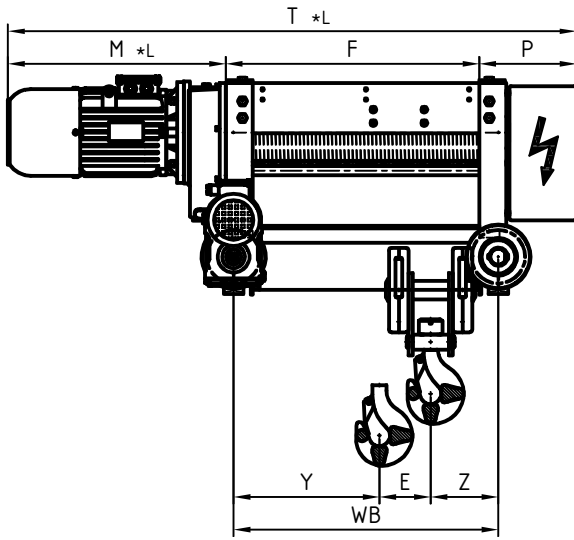


BAYURSAN CLASS ROYAL C CR Standard PP-NH' Pipe Type Double-Rail Crab



- * S Small Size Motor
- * L Large Size Motor
- * NH Standard Headroom Hook Block
- * LH Low Headroom Hook Block

| Rope Reaving | Hoist Unit | Rope Drum | Lifting Height | Overall dimensions in mm. | | | | | | | | | | | | |
|--------------|------------|-----------|----------------|---------------------------|------|--------------|-----|------|------|-----|------|------|------|------|-----|------|
| | | | | LC | WB | ØW/k | H1 | H2 | HT | Z | E | Y | M | F | P | T*L |
| 2/1 | CR1 | L1 | ≤ 7,5 | 1000 | 479 | Ø125 k 30 | 488 | 325 | 813 | 145 | 160 | 174 | *S | 498 | 210 | 121: |
| | | L2 | ≤ 10 | | 589 | | | | | | 215 | 229 | 467 | 608 | | 132: |
| | | L3 | ≤ 15 | | 819 | | | | | | 330 | 344 | *L | 838 | | 155: |
| | | L4 | ≤ 20 | | 1049 | | | | | | 445 | 459 | 503 | 1068 | | 178: |
| | CR2 | L1 | ≤ 7,5 | 1100 | 460 | Ø160 k 40 | 617 | 382 | 999 | 155 | 144 | 161 | *S | 506 | 210 | 136: |
| | | L2 | ≤ 10 | | 580 | | | | | | 204 | 221 | 533 | 626 | | 148: |
| | | L3 | ≤ 15 | | 790 | | | | | | 306 | 329 | *L | 836 | | 169: |
| | | L4 | ≤ 20 | | 1000 | | | | | | 414 | 431 | 650 | 1046 | | 190: |
| | CR3 | L1 | ≤ 9 | 1200 | 591 | Ø160 k 40 | 704 | 409 | 1113 | 182 | 192 | 217 | *S | 626 | 210 | 162: |
| | | L2 | ≤ 12 | | 687 | | | | | | 240 | 265 | 650 | 722 | | 171: |
| | | L3 | ≤ 18 | | 943 | | | | | | 368 | 393 | *L | 978 | | 197: |
| | | L4 | ≤ 24 | | 1167 | | | | | | 480 | 505 | 786 | 1202 | | 219: |
| | | L5 | ≤ 29 | | 1391 | | | | | | 592 | 617 | 873 | 1426 | | 242: |
| | CR4 | L1 | ≤ 7,5 | 1400 | 619 | Ø200 k 40 | 904 | 479 | 1383 | 220 | 189 | 210 | *S | 632 | 210 | 171: |
| | | L2 | ≤ 10 | | 727 | | | | | | 243 | 264 | 765 | 740 | | 182: |
| | | L3 | ≤ 15 | | 943 | | | | | | 351 | 372 | *L | 956 | | 203: |
| L4 | | ≤ 20 | 1141 | | 450 | | | | | | 471 | 873 | 1154 | 223: | | |
| L5 | | ≤ 25 | 1357 | | 558 | | | | | | 579 | 873 | 1370 | 245: | | |
| 4/1 | CR1 | L1 | ≤ 3,75 | 1000 | 479 | Ø125 k 30 | 488 | *NH | *NH | 187 | 80 | 212 | *S | 498 | 210 | 121: |
| | | L2 | ≤ 5 | | 589 | | | 321 | 809 | | 467 | 608 | 132: | | | |
| | | L3 | ≤ 7,5 | | 819 | | | *LH | *LH | | 165 | 467 | *L | 838 | | 155: |
| | | L4 | ≤ 10 | | 1049 | | | 219 | 707 | | 503 | 1068 | 178: | | | |
| | CR2 | L1 | ≤ 3,75 | 1100 | 460 | Ø160 k 40 | 617 | *NH | *NH | 202 | 72 | 186 | *S | 506 | 210 | 136: |
| | | L2 | ≤ 5 | | 580 | | | 360 | 977 | | 533 | 626 | 148: | | | |
| | | L3 | ≤ 7,5 | | 790 | | | *LH | *LH | | 153 | 435 | *L | 836 | | 169: |
| | | L4 | ≤ 10 | | 1000 | | | 252 | 869 | | 650 | 1046 | 190: | | | |
| | CR3 | L1 | ≤ 4,5 | 1200 | 591 | Ø160 k 40 | 704 | *NH | *NH | 232 | 96 | 263 | *S | 626 | 210 | 162: |
| | | L2 | ≤ 6 | | 687 | | | 387 | 1091 | | 650 | 722 | 171: | | | |
| | | L3 | ≤ 9 | | 943 | | | *LH | *LH | | 184 | 527 | *L | 978 | | 197: |
| | | L4 | ≤ 12 | | 1167 | | | 272 | 976 | | 786 | 1202 | 219: | | | |
| | | L5 | ≤ 14,5 | | 1391 | | | 296 | 863 | | 873 | 1426 | 242: | | | |
| | CR4 | L1 | ≤ 3,75 | 1400 | 619 | Ø200 k 40 | 904 | *NH | *NH | 287 | 95 | 238 | *S | 632 | 210 | 171: |
| | | L2 | ≤ 5 | | 727 | | | 512 | 1416 | | 765 | 740 | 182: | | | |
| | | L3 | ≤ 7,5 | | 943 | | | *LH | *LH | | 176 | 481 | *L | 956 | | 203: |
| L4 | | ≤ 10 | 1141 | | 349 | | | 1253 | 873 | | 1154 | 223: | | | | |
| L5 | | ≤ 12,5 | 1357 | | 279 | | | 791 | 873 | | 1370 | 245: | | | | |
| 6/1 | CR3 | L3 | ≤ 6 | 1200 | 965 | Ø200 k 40 | 735 | 511 | 1246 | 345 | 123 | 497 | 786 | 978 | 210 | 197: |
| | | L4 | ≤ 8 | | 1189 | | | | | | 160 | 684 | | 1202 | | 219: |
| | | L5 | ≤ 9,67 | | 1413 | | | | | | 197 | 871 | | 1426 | | 242: |
| | CR4 | L3 | ≤ 5 | 1400 | 979 | Ø250 k 50 | 947 | 620 | 1567 | 446 | 117 | 416 | 873 | 956 | 210 | 203: |
| | | L4 | ≤ 6,67 | | 1177 | | | | | | 150 | 581 | | 1154 | | 223: |
| | | L5 | ≤ 8,33 | | 1393 | | | | | | 186 | 761 | | 1370 | | 245: |