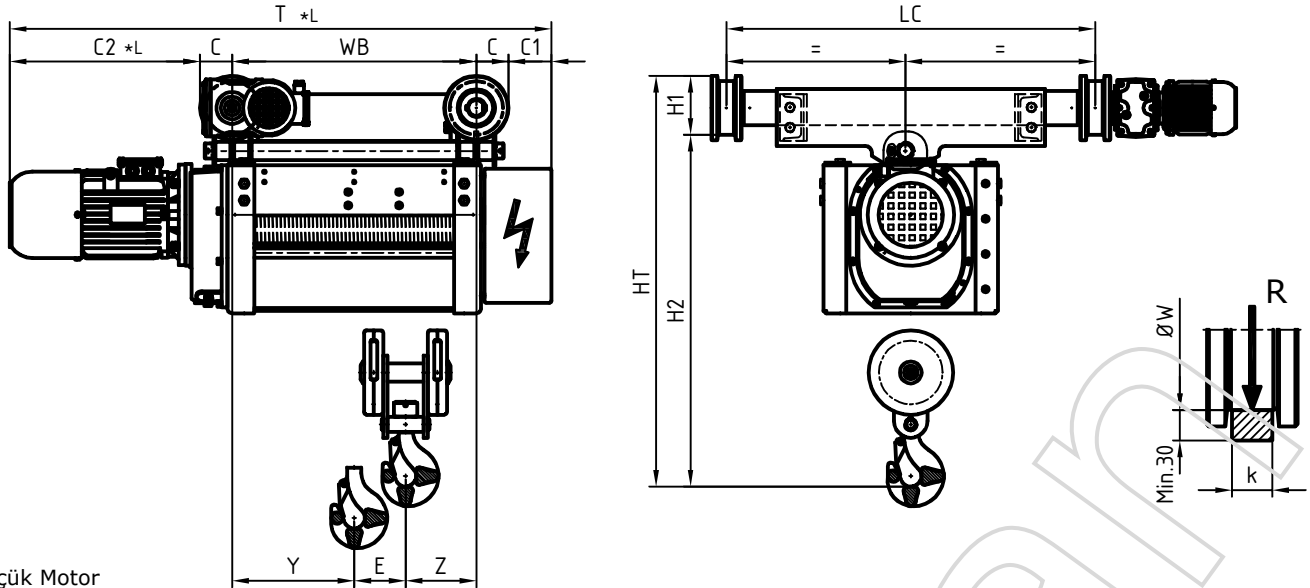


BAYURSAN CLASS ROYAL C CR Standart PP-LH' Boru Tip Kedi Arabası



- * S Küçük Motor
- * L Büyük Motor
- * NH Standart Tip Kanca Bloğu
- * LH Alçak Tavan Kanca Bloğu

| Halat Donanımı | Kaldırma Ünitesi | Halat Tamburu | Kaldırma Yüksekliği | Tüm ölçüler milimetredir. | | | | | | | | | | | | |
|----------------|------------------|---------------|---------------------|---------------------------|------|--------------|-----|------|------|-----|-----|-----|-----|-----|-----|-------|
| | | | | LC | WB | ØW/k | H1 | H2 | HT | Z | E | Y | C2 | C1 | C | T * L |
| 2/1 | CR1 | L1 | ≤ 7,5 | 1000 | 476 | Ø125 k 30 | 195 | 876 | 1071 | 143 | 160 | 173 | *S | 141 | 80 | 121 |
| | | L2 | ≤ 10 | | 586 | | | | | | 215 | 228 | 398 | | | 132 |
| | | L3 | ≤ 15 | | 816 | | | | | | 330 | 343 | *L | | | 155 |
| | | L4 | ≤ 20 | | 1046 | | | | | | 445 | 458 | 434 | | | 178 |
| | CR2 | L1 | ≤ 7,5 | 1100 | 478 | Ø160 k 40 | 225 | 1072 | 1297 | 164 | 144 | 170 | *S | 124 | 100 | 136 |
| | | L2 | ≤ 10 | | 598 | | | | | | 204 | 230 | 447 | | | 148 |
| | | L3 | ≤ 15 | | 808 | | | | | | 306 | 338 | *L | | | 169 |
| | | L4 | ≤ 20 | | 1018 | | | | | | 414 | 440 | 564 | | | 190 |
| | CR3 | L1 | ≤ 9 | 1200 | 592 | Ø160 k 40 | 251 | 1216 | 1467 | 183 | 192 | 217 | *S | 127 | 100 | 162 |
| | | L2 | ≤ 12 | | 688 | | | | | | 240 | 265 | 567 | | | 171 |
| | | L3 | ≤ 18 | | 944 | | | | | | 368 | 393 | *L | | | 197 |
| | | L4 | ≤ 24 | | 1168 | | | | | | 480 | 505 | 703 | | | 219 |
| | | L5 | ≤ 29 | | 1392 | | | | | | 592 | 617 | | | | 242 |
| | CR4 | L1 | ≤ 7,5 | 1400 | 592 | Ø200 k 40 | 218 | 1557 | 1775 | 206 | 189 | 197 | *S | 110 | 120 | 171 |
| | | L2 | ≤ 10 | | 700 | | | | | | 243 | 251 | 665 | | | 182 |
| | | L3 | ≤ 15 | | 916 | | | | | | 351 | 359 | *L | | | 203 |
| L4 | | ≤ 20 | 1114 | | 450 | | | | | | 458 | 773 | 223 | | | |
| L5 | | ≤ 25 | 1330 | | 558 | | | | | | 566 | | 245 | | | |
| 4/1 | CR1 | L1 | ≤ 3,75 | 1000 | 476 | Ø125 k 30 | 195 | *NH | *NH | 186 | 80 | 210 | *S | 141 | 80 | 121 |
| | | L2 | ≤ 5 | | 586 | | | 872 | 1067 | | 398 | 132 | | | | |
| | | L3 | ≤ 7,5 | | 816 | | | *LH | *LH | | *L | 155 | | | | |
| | | L4 | ≤ 10 | | 1046 | | | 770 | 965 | | 434 | 178 | | | | |
| | CR2 | L1 | ≤ 3,75 | 1100 | 478 | Ø160 k 40 | 225 | *NH | *NH | 211 | 72 | 195 | *S | 124 | 100 | 136 |
| | | L2 | ≤ 5 | | 598 | | | 1050 | 1275 | | 447 | 148 | | | | |
| | | L3 | ≤ 7,5 | | 808 | | | *LH | *LH | | *L | 169 | | | | |
| | | L4 | ≤ 10 | | 1018 | | | 942 | 1167 | | 564 | 190 | | | | |
| | CR3 | L1 | ≤ 4,5 | 1200 | 592 | Ø160 k 40 | 251 | *NH | *NH | 233 | 96 | 263 | *S | 127 | 100 | 162 |
| | | L2 | ≤ 6 | | 688 | | | 1194 | 1445 | | 567 | 171 | | | | |
| | | L3 | ≤ 9 | | 944 | | | *LH | *LH | | *L | 197 | | | | |
| | | L4 | ≤ 12 | | 1168 | | | 1079 | 1330 | | 703 | 219 | | | | |
| | | L5 | ≤ 14,5 | | 1392 | | | 296 | 863 | | | 242 | | | | |
| | CR4 | L1 | ≤ 3,75 | 1400 | 592 | Ø200 k 40 | 218 | *NH | *NH | 274 | 95 | 224 | *S | 110 | 120 | 171 |
| | | L2 | ≤ 5 | | 700 | | | 1590 | 1808 | | 665 | 182 | | | | |
| | | L3 | ≤ 7,5 | | 916 | | | *LH | *LH | | *L | 203 | | | | |
| L4 | | ≤ 10 | 1114 | | 1427 | | | 1645 | 773 | | 223 | | | | | |
| L5 | | ≤ 12,5 | 1330 | | 279 | | | 777 | | | 245 | | | | | |
| 6/1 | CR3 | L3 | ≤ 6 | 1200 | 944 | Ø200 k 40 | 218 | 1368 | 1586 | 331 | 123 | 490 | 683 | 107 | 120 | 197 |
| | | L4 | ≤ 8 | | 1168 | | | | | | 160 | 677 | | | | 219 |
| | | L5 | ≤ 9,67 | | 1392 | | | | | | 197 | 864 | | | | 242 |
| | CR4 | L3 | ≤ 5 | 1400 | 916 | Ø250 k 50 | 268 | 1732 | 2000 | 414 | 117 | 385 | 748 | 85 | 145 | 203 |
| | | L4 | ≤ 6,67 | | 1114 | | | | | | 150 | 550 | | | | 223 |
| | | L5 | ≤ 8,33 | | 1330 | | | | | | 186 | 730 | | | | 245 |