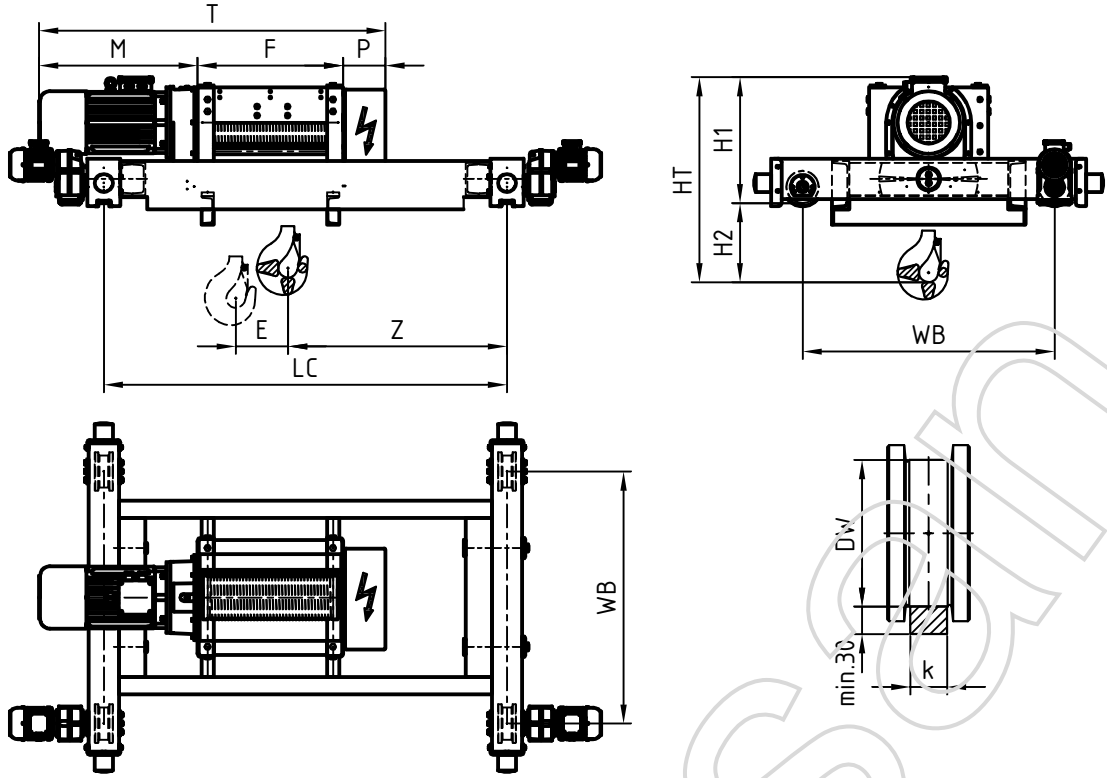


BAYURSAN CLASS ROYAL Modüler DW-LH Tip Kedi Arabası



| HALAT DONAMI | KALDIRMA ÜNİTESİ | KALDIRMA YÜKSEKLİĞİ | Overall dimensions in mm. | | | | | | | | | | | | | | |
|--------------|------------------|---------------------|---------------------------|------|-----|----|-----|-----|------|-----|---|-------|-------|------|-----|------|-----|
| | | | LC | WB | DW | k | H1 | H2 | HT | Z | E | T | M | F | P | | |
| 2/1 | CR1 L1 | ≤ 7,5 | 1500 | 1000 | 125 | 30 | 472 | 295 | 767 | | | 761 | 160 | 1211 | 503 | 498 | 210 |
| | CR1 L2 | ≤ 10 | 1600 | | | | | | | | | 751 | 215 | 1321 | | 608 | |
| | CR1 L3 | ≤ 15 | 1850 | | | | | | | | | 771 | 330 | 1551 | | 838 | |
| | CR1 L4 | ≤ 20 | 2050 | | | | | | | | | 741 | 445 | 1781 | | 1068 | |
| | CR2 L1 | ≤ 7,5 | 1650 | 1100 | 125 | 40 | 537 | 413 | 950 | | | 896,5 | 144 | 1366 | 650 | 506 | 210 |
| | CR2 L2 | ≤ 10 | 1750 | | | | | | | | | 876,5 | 204 | 1486 | | 626 | |
| | CR2 L3 | ≤ 15 | 1950 | | | | | | | | | 866,5 | 306 | 1696 | | 836 | |
| | CR2 L4 | ≤ 20 | 2150 | | | | | | | | | 856,5 | 414 | 1906 | | 1046 | |
| | CR3 L1 | ≤ 7,5 | 1900 | 1250 | 160 | 40 | 625 | 467 | 1092 | | | 1009 | 192 | 1622 | 786 | 626 | 210 |
| | CR3 L2 | ≤ 10 | 2000 | | | | | | | | | 1013 | 240 | 1718 | | 722 | |
| | CR3 L3 | ≤ 15 | 2250 | | | | | | | | | 1007 | 368 | 1974 | | 978 | |
| | CR3 L4 | ≤ 20 | 2450 | | | | | | | | | 982,5 | 480 | 2198 | | 1202 | |
| | CR3 L5 | ≤ 25 | 2700 | | | | | | | | | 1009 | 592 | 2422 | | 1426 | |
| | CR4 L1 | ≤ 7,5 | 2050 | 1300 | 200 | 40 | 724 | 609 | 1333 | | | 1094 | 189 | 1715 | 873 | 632 | 210 |
| | CR4 L2 | ≤ 10 | 2150 | | | | | | | | | 1086 | 243 | 1823 | | 740 | |
| | CR4 L3 | ≤ 15 | 2400 | | | | | | | | | 1120 | 351 | 2039 | | 956 | |
| CR4 L4 | ≤ 20 | 2600 | 1122 | | | | | | | | | 450 | 2237 | 1154 | | | |
| CR4 L5 | ≤ 25 | 2800 | 1106 | | | | | | | | | 558 | 2453 | 1370 | | | |
| 4/1 | CR1 L1 | ≤ 3,75 | 1500 | 1000 | 125 | 30 | 472 | 291 | 763 | 767 | | 803,5 | 80 | 1211 | 503 | 498 | 210 |
| | CR1 L2 | ≤ 5 | 1600 | | | | | | | | | 793,5 | 107,5 | 1321 | | 608 | |
| | CR1 L3 | ≤ 7,5 | 1850 | | | | | | | | | 813,5 | 165 | 1551 | | 838 | |
| | CR1 L4 | ≤ 10 | 2050 | | | | | | | | | 783,5 | 222,5 | 1781 | | 1068 | |
| | CR2 L1 | ≤ 3,75 | 1650 | 1100 | 125 | 40 | 537 | 404 | 941 | 950 | | 944 | 72 | 1366 | 650 | 506 | 210 |
| | CR2 L2 | ≤ 5 | 1750 | | | | | | | | | 924 | 102 | 1486 | | 626 | |
| | CR2 L3 | ≤ 7,5 | 1950 | | | | | | | | | 886 | 153 | 1696 | | 836 | |
| | CR2 L4 | ≤ 10 | 2150 | | | | | | | | | 904 | 207 | 1906 | | 1046 | |
| | CR3 L1 | ≤ 3,75 | 1900 | 1250 | 160 | 40 | 625 | 450 | 1075 | | | 1059 | 96 | 1622 | 786 | 626 | 210 |
| | CR3 L2 | ≤ 5 | 2000 | | | | | | | | | 1063 | 120 | 1718 | | 722 | |
| | CR3 L3 | ≤ 7,5 | 2250 | | | | | | | | | 1057 | 184 | 1974 | | 978 | |
| | CR3 L4 | ≤ 10 | 2450 | | | | | | | | | 1033 | 240 | 2198 | | 1202 | |
| | CR3 L5 | ≤ 12,5 | 2700 | | | | | | | | | 1059 | 296 | 2422 | | 1426 | |
| | CR4 L1 | ≤ 3,75 | 2050 | 1300 | 200 | 40 | 724 | 632 | 1356 | | | 1162 | 94,5 | 1715 | 873 | 632 | 210 |
| | CR4 L2 | ≤ 5 | 2150 | | | | | | | | | 1154 | 121,5 | 1823 | | 740 | |
| | CR4 L3 | ≤ 7,5 | 2400 | | | | | | | | | 1188 | 175,5 | 2039 | | 956 | |
| CR4 L4 | ≤ 10 | 2600 | 1190 | | | | | | | | | 225 | 2237 | 1154 | | | |
| CR4 L5 | ≤ 12,5 | 2800 | 1174 | | | | | | | | | 279 | 2453 | 1370 | | | |
| 6/1 | CR3 L3 | ≤ 5 | 2250 | 1300 | 200 | 40 | 680 | 533 | 1213 | | | 1148 | 123 | 1974 | 786 | 978 | 210 |
| | CR3 L4 | ≤ 6,67 | 2450 | | | | | | | | | 1124 | 160 | 2198 | | 1202 | |
| | CR3 L5 | ≤ 8,33 | 2700 | | | | | | | | | 1150 | 197 | 2422 | | 1426 | |
| | CR4 L3 | ≤ 5 | 2400 | 1400 | 250 | 50 | 798 | 685 | 1483 | | | 1293 | 117 | 2039 | 873 | 956 | 210 |
| | CR4 L4 | ≤ 6,67 | 2600 | | | | | | | | | 1295 | 150 | 2237 | | 1154 | |
| | CR4 L5 | ≤ 8,33 | 2800 | | | | | | | | | 1279 | 186 | 2453 | | 1370 | |